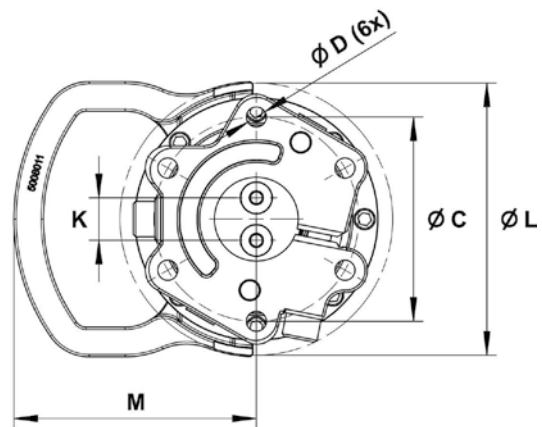
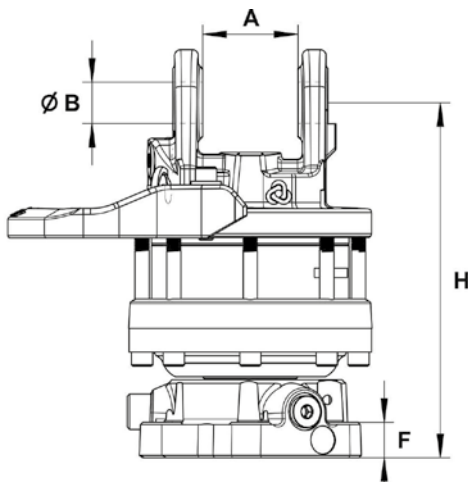
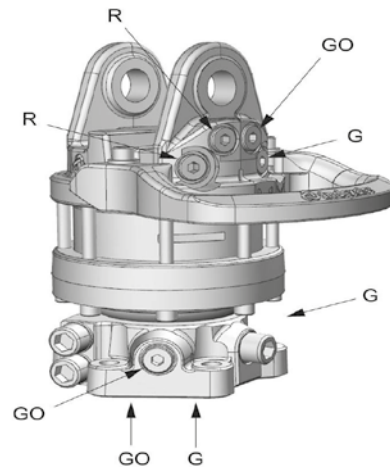


# GV6

## Rotatore

Rotator **EN** | **FR** Rotateur  
 Rotator **DE** | **ES** Rotadore



### Informazioni Tecniche Technical data

Rotation	unlimited
Max axial load static, KN	60
Max axial load dynamic, KN	25
Torque at 25Mpa (3625psi), Nm	1400
Rec oilflow, l/min	25
Weight, kg	44,9

### Massima pressione di lavoro Max working pressure

Rotator ←R→	Max 20 MPa	↑G 1/2 • G 1/2 ↓
Grapple / Tool Open ←G→	Max 20 MPa	↑G 1/2 • G 1/2 ↓
Grapple / Tool Close →G←	Max 30 MPa	↑G 1/2 • G 1/2 ↓

### Connessione Connection



A	B	C	D	F	H	K	L	M
80,5 mm	Ø35 mm	Ø173 mm	Ø17 mm	30 mm	300 mm	36 mm	Ø231 mm	205 mm