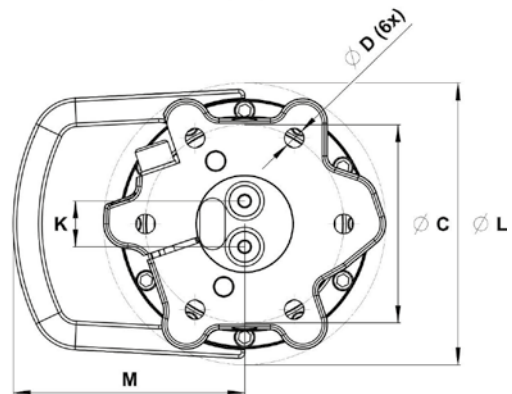
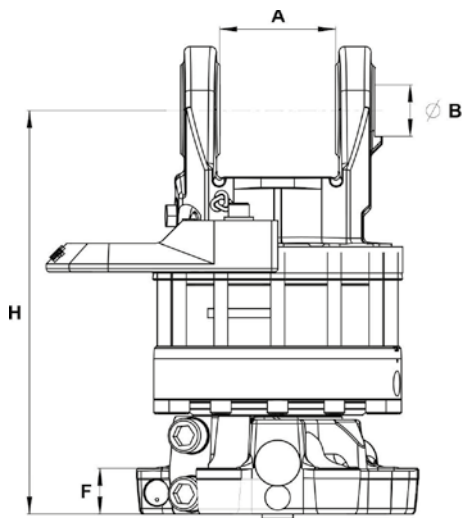
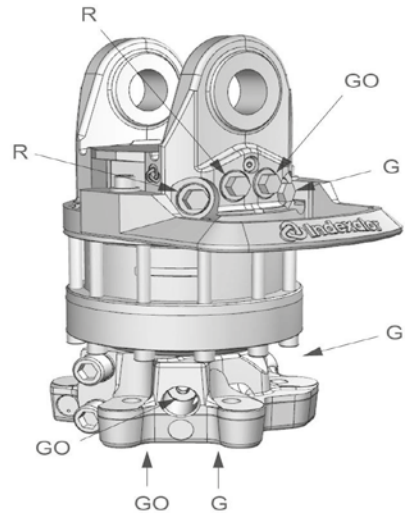




GV17S

Rotatore

Rotator **EN** | **FR** Rotateur
 Rotator **DE** | **ES** Rotadore



Informazioni Tecniche Technical data

Rotation	unlimited
Max axial load static, KN	160
Max axial load dynamic, KN	50
Torque at 25Mpa (3625psi), Nm	3300
Rec oilflow, l/min	35
Weight, kg	63,6

Massima pressione di lavoro Max working pressure

Rotator ←R→	Max 25 MPa	↑G 1/2 • G 1/2 ↓
Grapple / Tool Open ←G→	Max 30 MPa	↑G 1/2 • G 1/2 ↓
Grapple / Tool Close →G←	Max 30 MPa	↑G 1/2 • G 1/2 ↓

Connessione Connection



A	B	C	D	F	H	K	L	M
101 mm	Ø45 mm	Ø173 mm	Ø17 mm	40 mm	353 mm	40 mm	Ø248 mm	202 mm