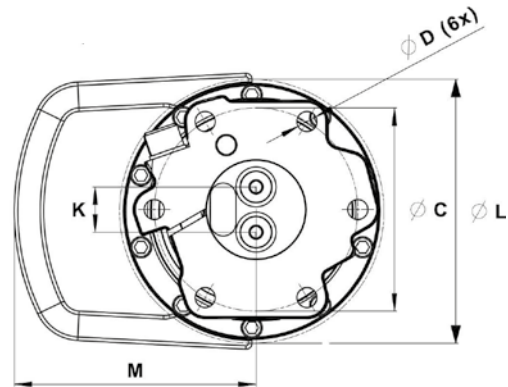
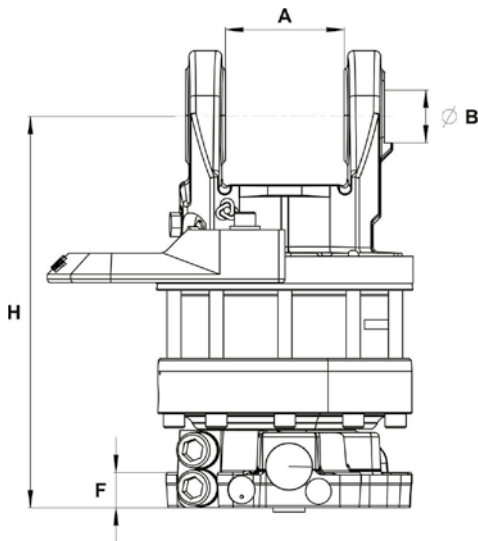
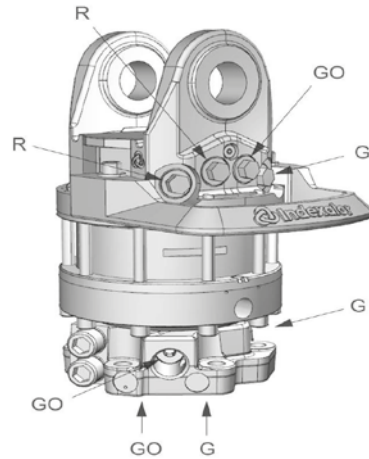


# GV12S

## Rotatore

Rotator **EN** | **FR** Rotateur  
 Rotator **DE** | **ES** Rotadore



### Informazioni Tecniche Technical data

Rotation	unlimited
Max axial load static, KN	100
Max axial load dynamic, KN	50
Torque at 25Mpa (3625psi), Nm	2200
Rec oilflow, l/min	25
Weight, kg	57,7

### Massima pressione di lavoro Max working pressure

Rotator ←R→	Max 25 MPa	↑G 1/2 • G 1/2 ↓
Grapple / Tool Open ←G→	Max 30 MPa	↑G 1/2 • G 1/2 ↓
Grapple / Tool Close →G←	Max 30 MPa	↑G 1/2 • G 1/2 ↓

### Connessione Connection



A	B	C	D	F	H	K	L	M
101 mm	Ø45 mm	Ø173 mm	Ø17 mm	30 mm	333 mm	38,5 mm	Ø229 mm	202 mm