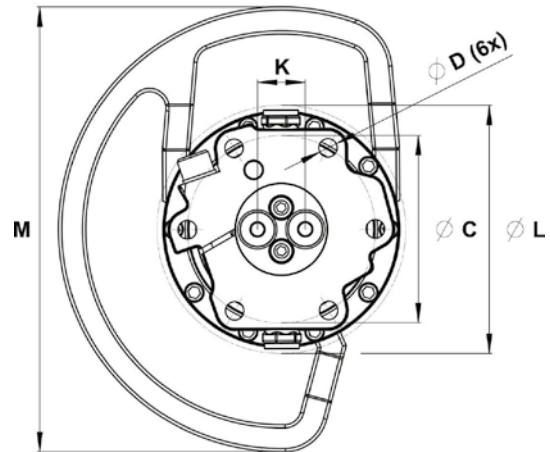
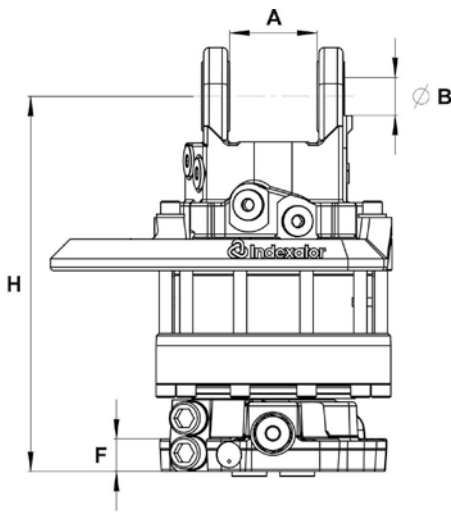
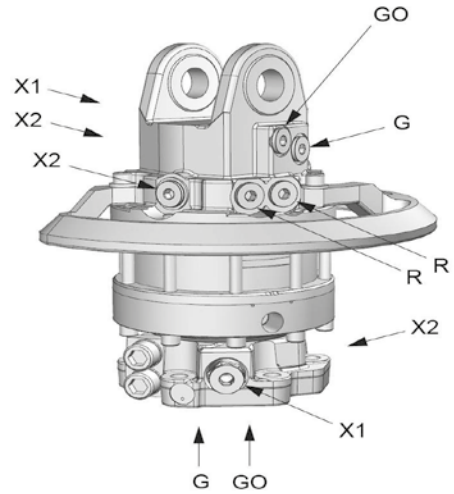


GV124

Rotatore sei vie

6 channels Rotator **EN** | **FR** Rotateur à six voies
 Sechs-Wege-Rotator **DE** | **ES** Rotadore de seis vías



Informazioni Tecniche Technical data

Rotation	unlimited
Max axial load static, KN	100
Max axial load dynamic, KN	50
Torque at 25Mpa (3625psi), Nm	2200
Rec oilflow, l/min	25
Weight, kg	59

Massima pressione di lavoro Max working pressure

Rotator ←R→	Max 25 MPa	↑G 1/2 • G 3/4 ↓
Grapple / Tool Open ←G→	Max 20 MPa	↑G 1/2 • G 3/4 ↓
Grapple / Tool Close →G←	Max 30 MPa	↑G 1/2 • G 3/4 ↓
(X1) (X2)	Max 30 MPa	↑G 3/4 • G 3/4 ↓

Connessione Connection



A	B	C	D	F	H	K	L	M
80,5 mm	Ø35 mm	Ø173 mm	Ø17 mm	30 mm	345 mm	44 mm	Ø229 mm	410 mm