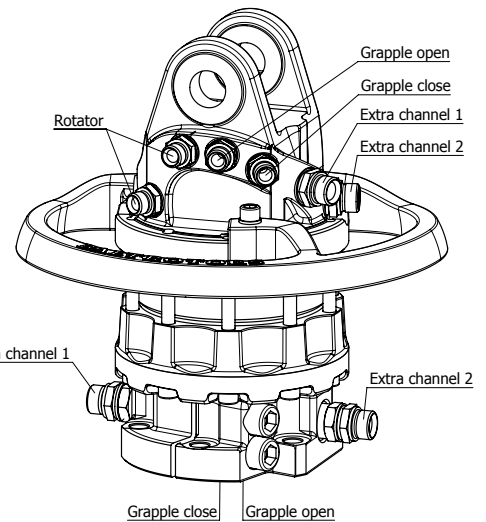
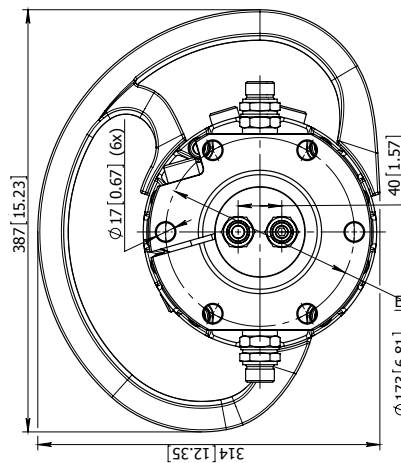
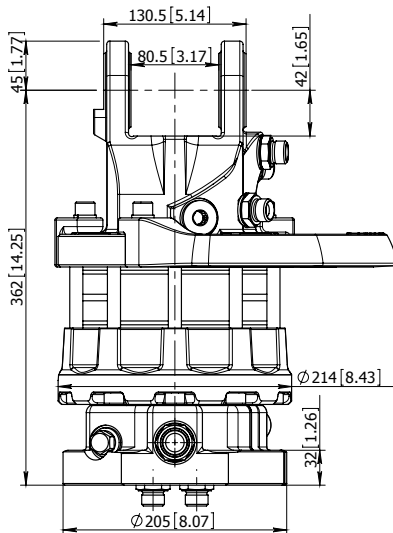
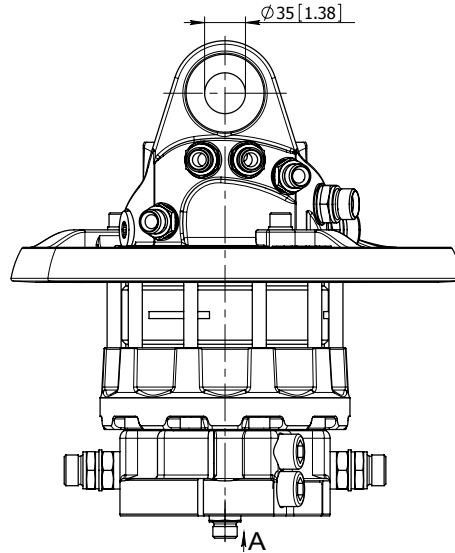


GRS10

Rotatore sei vie

6 channels Rotator **EN** | **FR** Rotateur à six voies
 Sechs-Wege-Rotator **DE** | **ES** Rotadore de seis vías



Informazioni Tecniche Technical data

Rotation	unlimited
Max axial load static, KN (lbf)	+100 [22485] -80 [17985]
Max axial load dynamic, KN (lbf)	+50 [11242] -40 [8992]
Torque at 25Mpa (3625psi), Nm (lb ft)	2500 [1844]
Rec oilflow, l/min (US gallon)	25 [6.6]
Weight, kg (lb)	64 [142]

Massima pressione di lavoro Max working pressure

Rotator ←R→	Max 25 MPa (3625 psi)
Grapple / Tool Open ←G→	Max 20 MPa (2900 psi)
Grapple / Tool Close →G←	Max 30 MPa (4350 psi)
Extra oil function [1] [2]	Max 30 MPa (4350 psi)

Connessione Connection

Rotator ←R→	G 1/2
Grapple / Tool Open ←G→	G 1/2
Grapple / Tool Close →G←	G 1/2
Extra oil function [1] [2]	G 3/4

