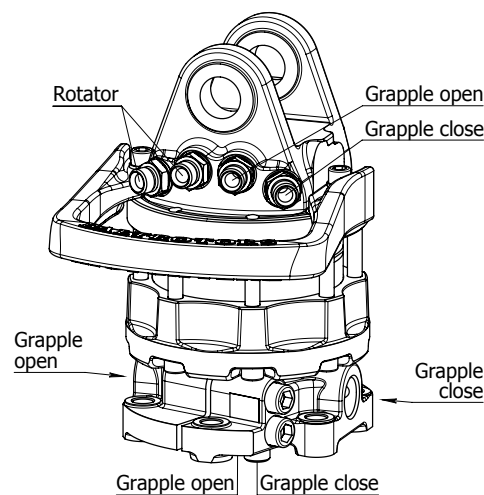
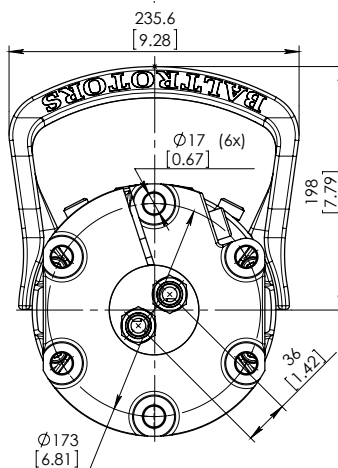
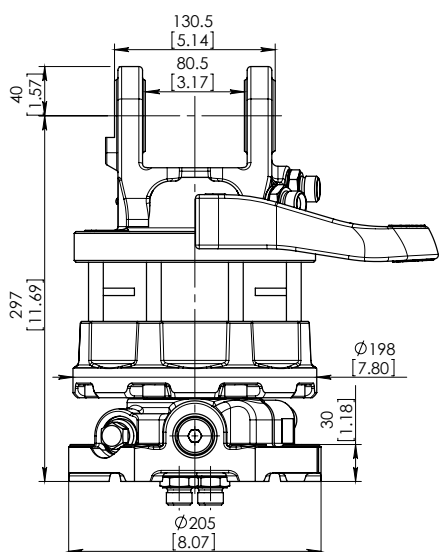
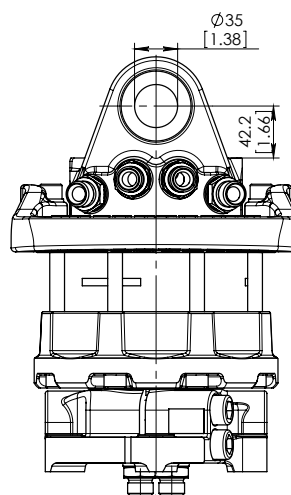




GR603DB

Rotatore

Rotator **EN** | **FR** Rotateur
 Rotator **DE** | **ES** Rotadore



Informazioni Tecniche Technical data	
Rotation	unlimited
Max axial load static, KN (lbf)	+60 (13491) -50 (11242)
Max axial load dynamic, KN (lbf)	+30 (6745) -25 (5621)
Torque at 25Mpa (3625psi), Nm (lb ft)	1800 (1328)
Rec oilflow, l/min (US gallon)	25 (6.6)
Weight, kg (lb)	45 (99)

Massima pressione di lavoro Max working pressure	
Rotator ←R→	Max 25 MPa (3625 psi)
Grapple / Tool Open ←G→	Max 20 MPa (2900 psi)
Grapple / Tool Close →G←	Max 30 MPa (4350 psi)

Connessione Connection	
Rotator ←R→	G 1/2
Grapple / Tool Open ←G→	G 1/2
Grapple / Tool Close →G←	G 1/2

