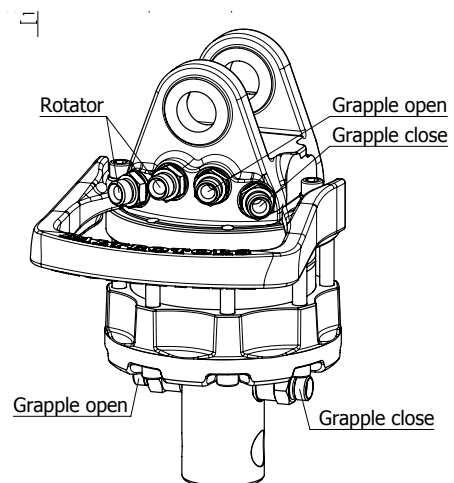
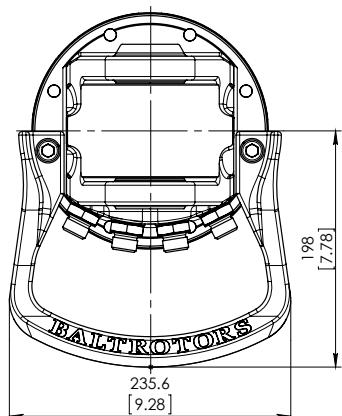
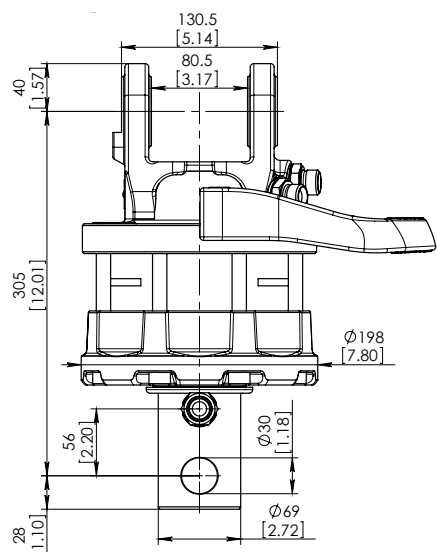
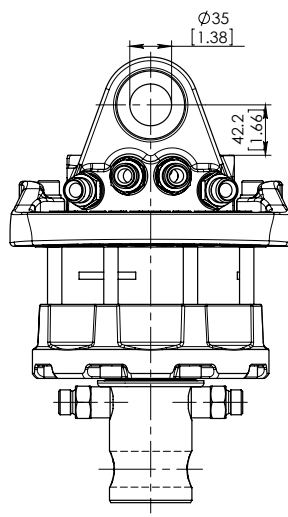




# GR60/69DB

## Rotatore

Rotator **EN** | **FR** Rotateur  
 Rotator **DE** | **ES** Rotadore



Informazioni Tecniche Technical data		Massima pressione di lavoro Max working pressure	Connessione Connection
Rotation	unlimited	Rotator ←R→	Max 25 MPa (3625 psi) G 1/2
Max axial load static, KN (lbf)	+60 (13491)	Grapple / Tool Open ←G→	Max 20 MPa (2900 psi) G 1/2
	-50 (11242)	Grapple / Tool Close →G←	Max 30 MPa (4350 psi) G 1/2
Max axial load dynamic, KN (lbf)	+30 (6745)		
	-25 (5621)		
Torque at 25Mpa (3625psi), Nm (lb ft)	1800 (1328)		
Rec oilflow, l/min (US gallon)	25 (6.6)		
Weight, kg (lb)	38 (83)		

