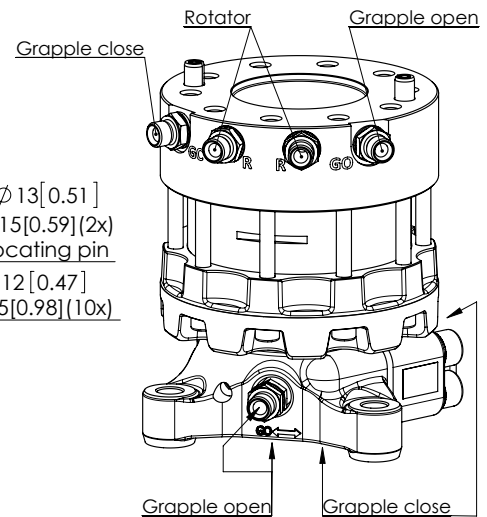
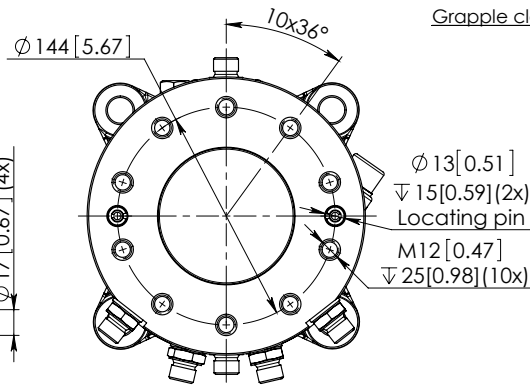
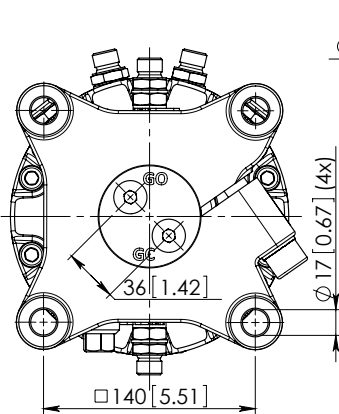
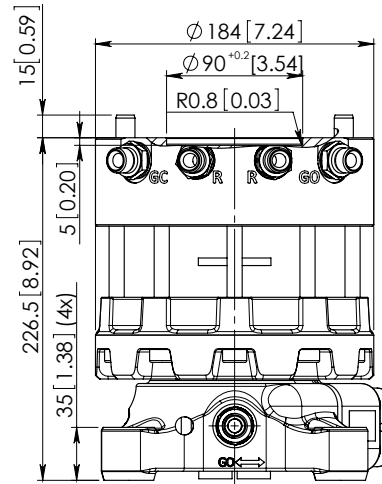


# GR55FF

## Rotatore

Rotator **EN** | **FR** Rotateur  
 Rotator **DE** | **ES** Rotadore



### Informazioni Tecniche Technical data

Rotation	unlimited
Max axial load static, KN (lbf)	+45 (10116) -34 (7643)
Max axial load dynamic, KN (lbf)	+25 (5620) -17 (3821)
Torque at 25Mpa (3625psi), Nm (lb ft)	1300 (959)
Rec oilflow, l/min (US gallon)	22 (5.8)
Weight, kg (lb)	35 (78)

### Massima pressione di lavoro Max working pressure

Rotator ←R→	Max 25 MPa (3625 psi)	G 3/8
Grapple / Tool Open ←G→	Max 20 MPa (2900 psi)	G 3/8
Grapple / Tool Close →G←	Max 30 MPa (4350 psi)	G 3/8

### Connessione Connection

