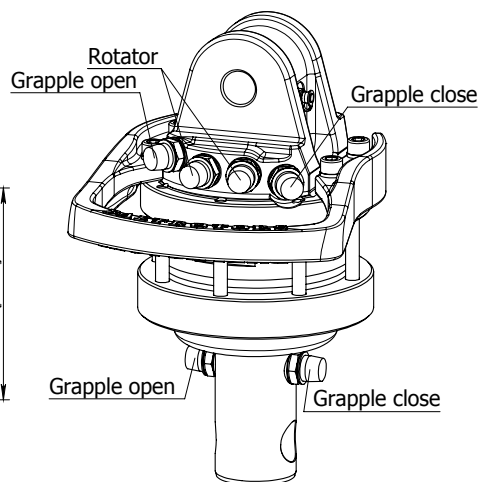
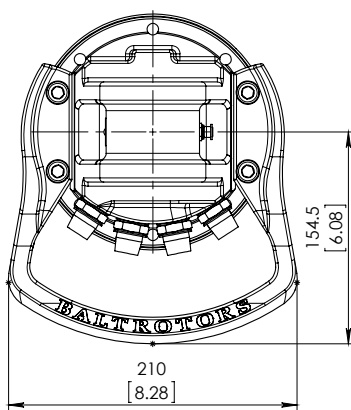
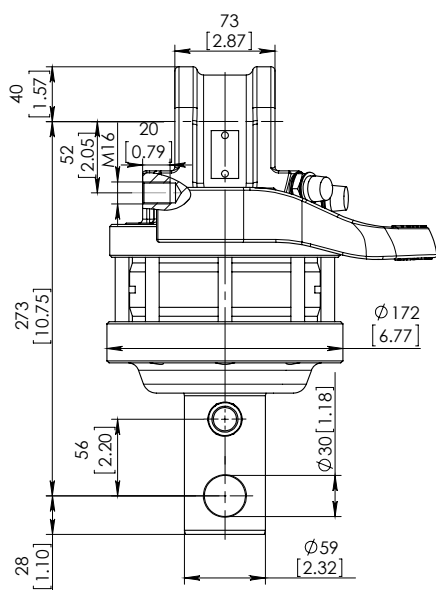
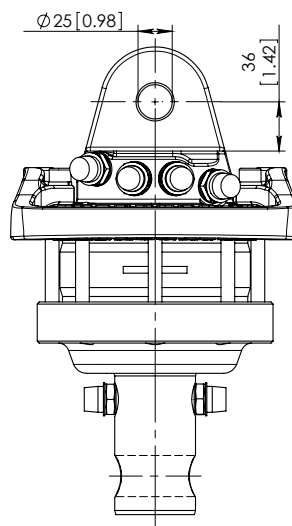




# GR46-01

## Rotatore

Rotator **EN** | **FR** Rotateur  
 Rotator **DE** | **ES** Rotadore



Informazioni Tecniche Technical data		Massima pressione di lavoro Max working pressure	Connessione Connection
Rotation	unlimited	Rotator <b>←R→</b>	Max 25 MPa (3625 psi) G 3/8
Max axial load static, KN (lbf)	45 (10118)	Grapple / Tool Open <b>←G→</b>	Max 20 MPa (2900 psi) G 3/8
Max axial load dynamic, KN (lbf)	25 (5621)	Grapple / Tool Close <b>→G←</b>	Max 30 MPa (4350 psi) G 3/8
Torque at 25Mpa (3625psi), Nm (lb ft)	1100 (811)		
Rec oilflow, l/min (US gallon)	20 (5.3)		
Weight, kg (lb)	25 (55)		

