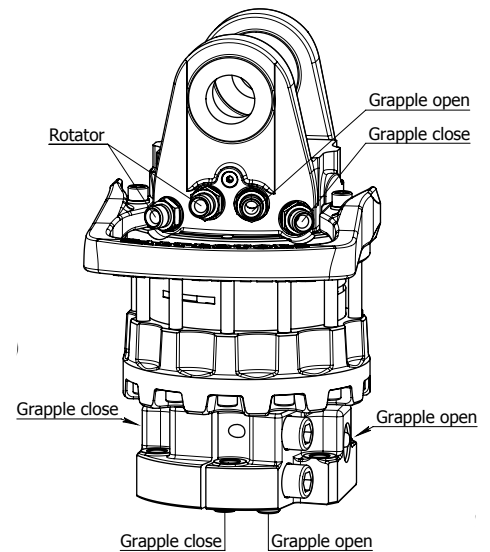
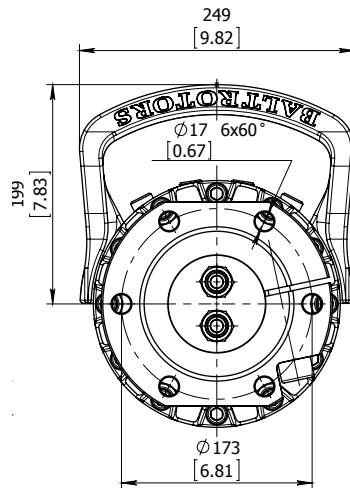
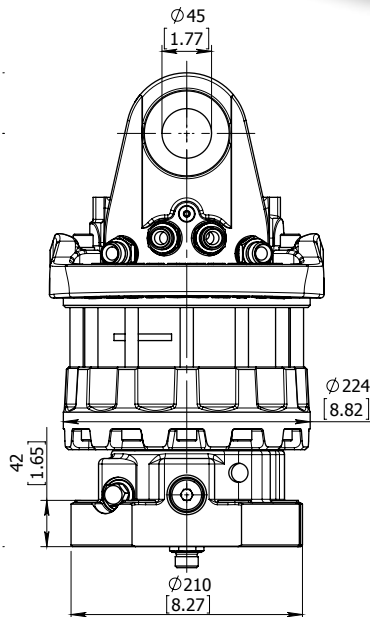
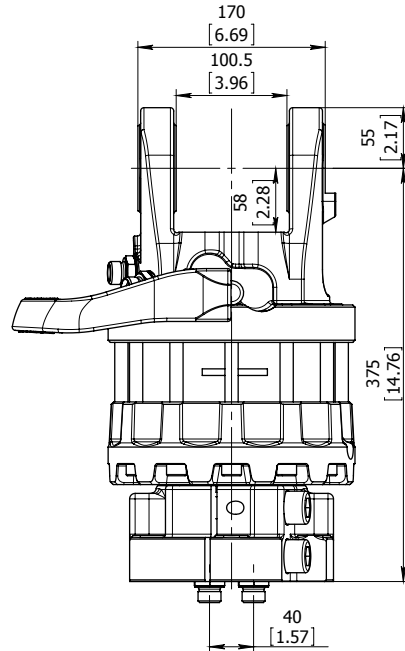


# GR16S

## Rotatore

Rotator **EN** | **FR** Rotateur  
 Rotator **DE** | **ES** Rotadore



### Informazioni Tecniche Technical data

Rotation	unlimited
Max axial load static, KN (lbf)	+160 (35976) -90 (20236)
Max axial load dynamic, KN (lbf)	+80 (17988) -45 (10118)
Torque at 25Mpa (3625psi), Nm (lb ft)	3400 (2500)
Rec oilflow, l/min (US gallon)	40 (10.6)
Weight, kg (lb)	71 (157)

### Massima pressione di lavoro Max working pressure

Rotator ←R→	Max 25 MPa (3625 psi)
Grapple / Tool Open ←G→	Max 30 MPa (2900 psi)
Grapple / Tool Close →G←	Max 30 MPa (4350 psi)

### Connessione Connection

G 1/2  
 G 1/2  
 G 1/2

