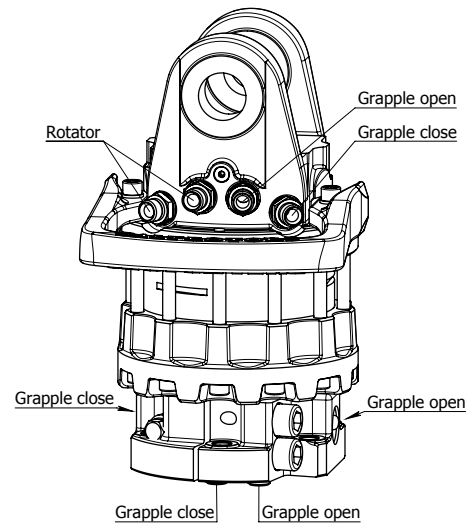
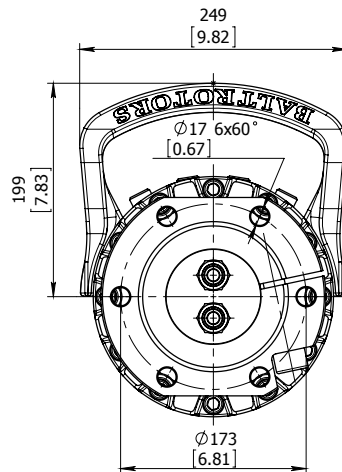
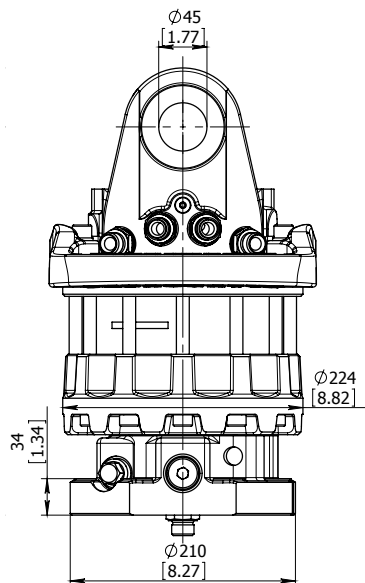
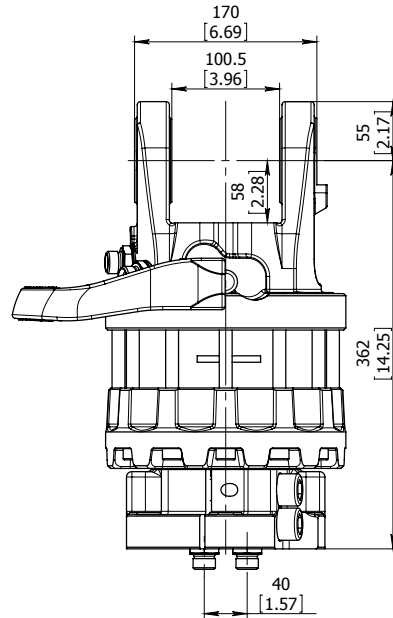


GR12S

Rotatore

Rotator **EN** | **FR** Rotateur
 Rotator **DE** | **ES** Rotadore



Informazioni Tecniche Technical data

Rotation	unlimited
Max axial load static, KN (lbf)	+120 (26982)
	-90 (20236)
Max axial load dynamic, KN (lbf)	+60 (13491)
	-45 (10118)
Torque at 25Mpa (3625psi), Nm (lb ft)	2900 (2139)
Rec oilflow, l/min (US gallon)	35 (9.25)
Weight, kg (lb)	70 (154)

Massima pressione di lavoro Max working pressure

Rotator ←R→	Max 25 MPa (3625 psi)	G 1/2
Grapple / Tool Open ←G→	Max 30 MPa (4350 psi)	G 1/2
Grapple / Tool Close →G←	Max 30 MPa (4350 psi)	G 1/2

Connessione Connection

