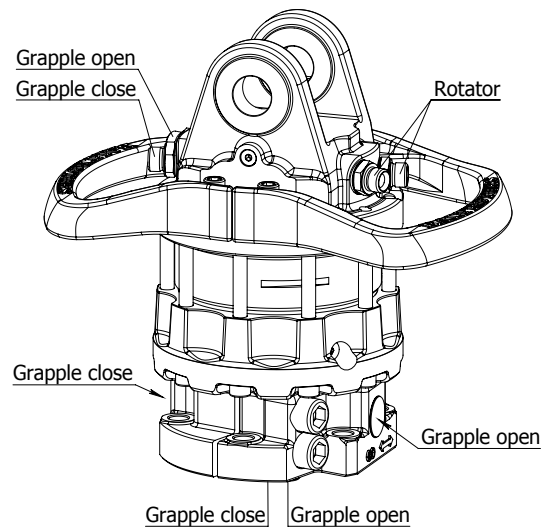
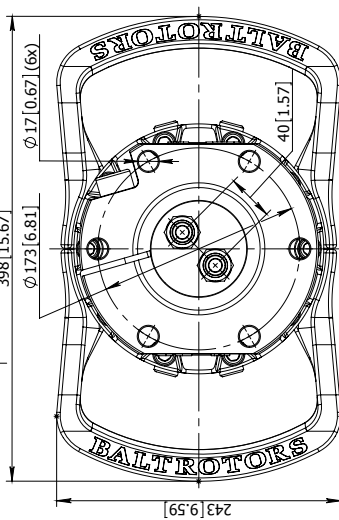
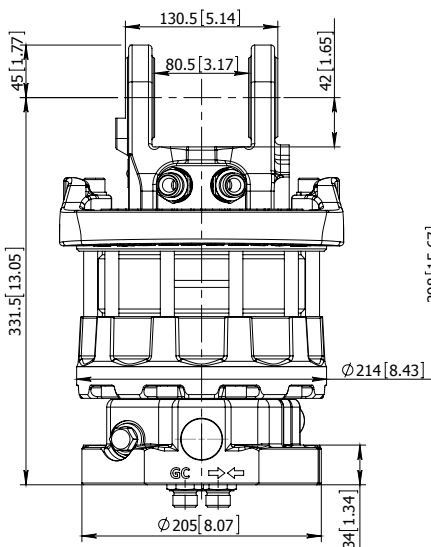
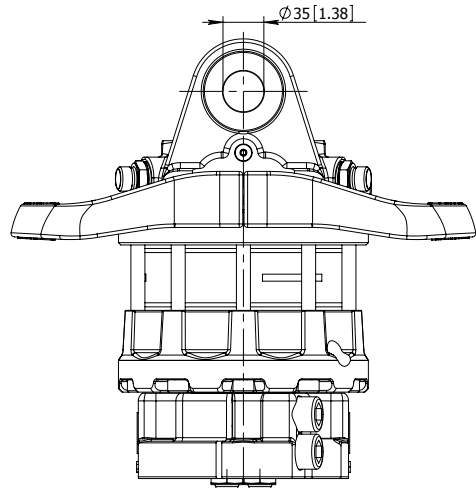




# GR105DB

## Rotatore

Rotator **EN** | **FR** Rotateur  
 Rotator **DE** | **ES** Rotadore



Informazioni Tecniche Technical data	
Rotation	unlimited
Max axial load static, KN (lbf)	+100 (22485) -80 (17985)
Max axial load dynamic, KN (lbf)	+50 (11242) -40 (8992)
Torque at 25Mpa (3625psi), Nm (lb ft)	2500 (1844)
Rec oilflow, l/min (US gallon)	25 (6.6)
Weight, kg (lb)	62 (137)

Massima pressione di lavoro Max working pressure	
Rotator ←R→	Max 25 MPa (3625 psi)
Grapple / Tool Open ←G→	Max 30 MPa (4350 psi)
Grapple / Tool Close →G←	Max 30 MPa (4350 psi)

Connessione Connection
G 1/2
G 1/2
G 1/2

