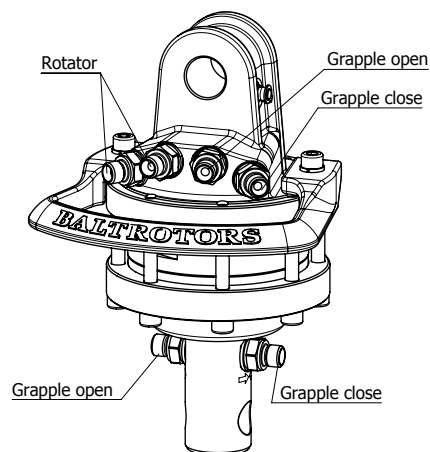
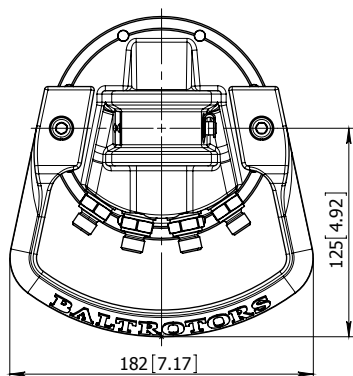
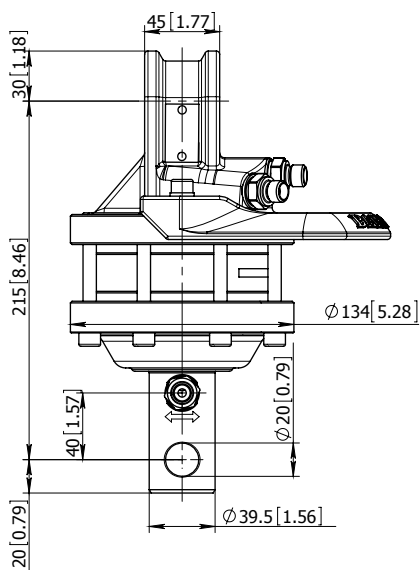
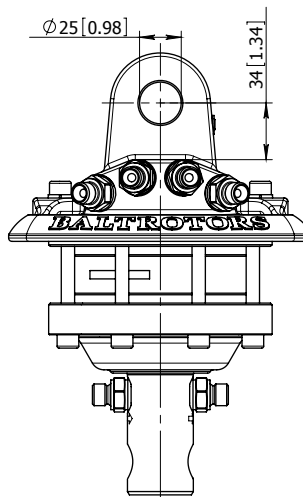




GR10

Rotatore

Rotator **EN** | **FR** Rotateur
 Rotator **DE** | **ES** Rotadore



Informazioni Tecniche Technical data		Massima pressione di lavoro Max working pressure	Connessione Connection
Rotation	unlimited	Rotator ←R→	Max 25 MPa (3625 psi) G 1/4
Max axial load static, KN (lbf)	10 (2250)	Grapple / Tool Open ←G→	Max 20 MPa (2900 psi) G 1/4
Max axial load dynamic, KN (lbf)	5 (1125)	Grapple / Tool Close →G←	Max 25 MPa (4350 psi) G 1/4
Torque at 25Mpa (3625psi), Nm (lb ft)	450 (332)		
Rec oilflow, l/min (US gallon)	10 (2.6)		
Weignt, kg (lb)	10 (22)		

