

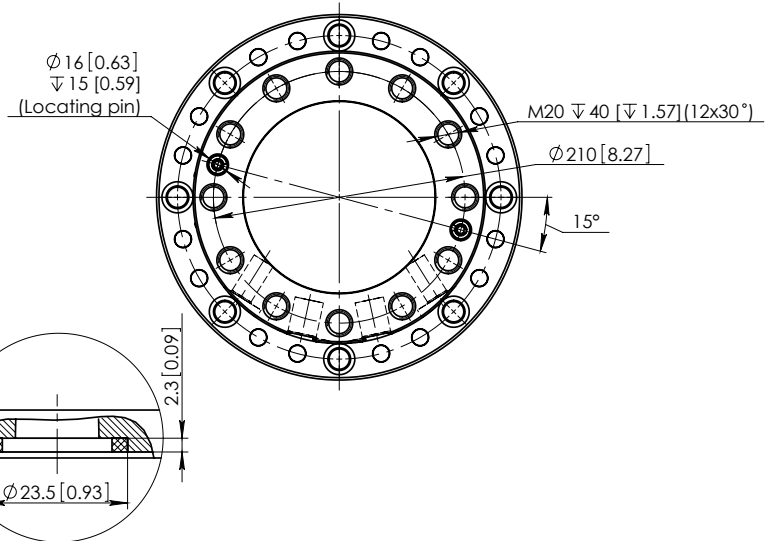
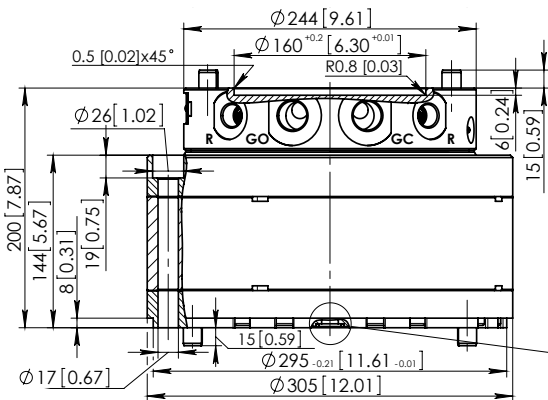
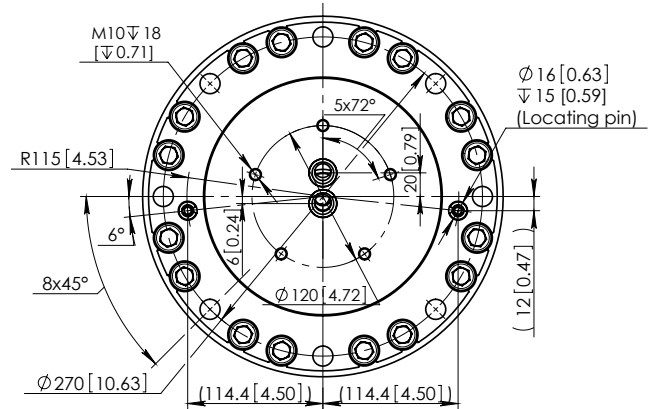
CPR9

Rotatore industriale

Industrial rotator **EN** | **FR** Rotateur industriel
 Industrierotatoren **DE** | **ES** Rotadore industriale



(PATENTED)



Informazioni Tecniche Technical data

Rotation	unlimited
Max axial load, KN (lbf)	± 90 (20233)
Max axial load, KN (lbf)	70 (15737)
Moment of deflection, KNm (lb ft)	24 (17701)
Torque at 25Mpa (3625psi), Nm (lb ft)	3000 (2213)
Rated displacement, cm ³ /rev. (in ³ /rev)	832 (50.8)
Rotation speed, rpm	max 30
Oil duct area for grapple, mm ² (in ²)	150 (0.232)
Weight, kg (lb)	91 (201)

Massima pressione di lavoro Max working pressure

Rotator ←R→	25 MPa [3625 psi]*
Open ←G→	35 MPa [5076 psi]
Close →G←	35 MPa [5076 psi]

*Valvole di sicurezza installate • Relief valves fitted

Flusso olio Rec oilflow

30 l/min
[7.9 gal(US)
/min]

Connessione Connection

G 1/2
G 3/4
G 3/4



Macchina operatrice (es. peso massimo dell'escavatore) Operating machine (e.g. excavator max weight)

montaggio con link connected via link	16 t
montaggio rigido rigid mounted	10.5 t