

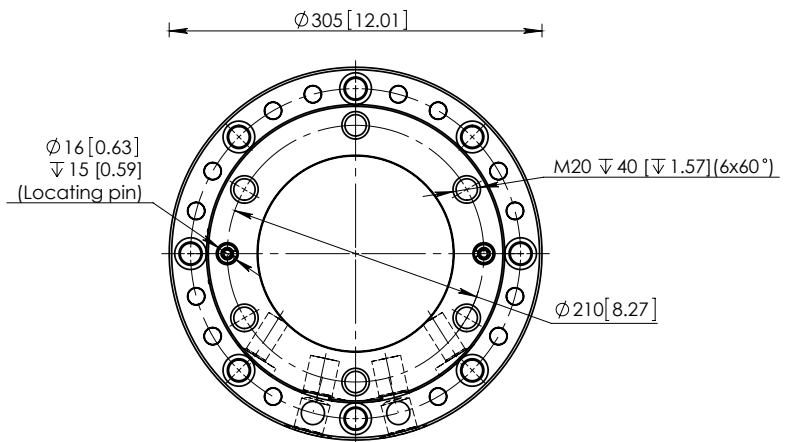
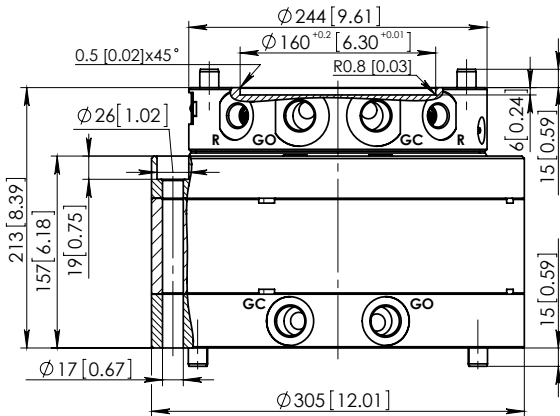
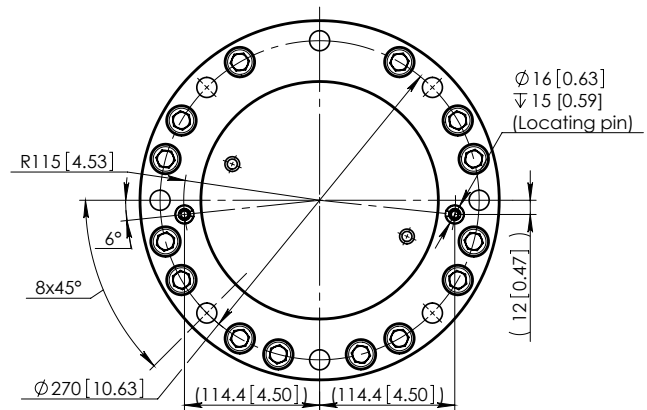
CPR8-01

Rotatore industriale

Industrial rotator **EN** | **FR** Rotateur industriel
 Industrierotatoren **DE** | **ES** Rotadore industriale



(PATENTED)



| Informazioni Tecniche Technical data | |
|--|--------------|
| Rotation | unlimited |
| Max axial load, KN (lbf) | ± 80 (17985) |
| Max axial load, KN (lbf) | 60 (13489) |
| Moment of deflection, KNm (lb ft) | 24 (17701) |
| Torque at 25Mpa (3625psi), Nm (lb ft) | 3000 (2213) |
| Rated displacement, cm ³ /rev. (in ³ /rev) | 832 (50.8) |
| Rotation speed, rpm | max 30 |
| Oil duct area for grapple, mm ² (in ²) | 150 (0.232) |
| Weight, kg (lb) | 99 (217) |

| Massima pressione di lavoro Max working pressure | Flusso olio Rec oilflow | Connessione Connection |
|---|-----------------------------------|---------------------------|
| Rotator ←R→ 25 MPa [3625 psi]* | 30 l/min [7.9 gal(US) /min] | G 1/2 |
| Open ←G→ 35 MPa [5076 psi] | | G 3/4 |
| Close →G← 35 MPa [5076 psi] | | G 3/4 |

*Valvole di sicurezza installate • Relief valves fitted



| | | |
|--|--|--------|
| Macchina operatrice (es. peso massimo dell'escavatore) Operating machine (e.g. excavator max weight) | montaggio con link connected via link | 16 t |
| | montaggio rigido rigid mounted | 10.5 t |