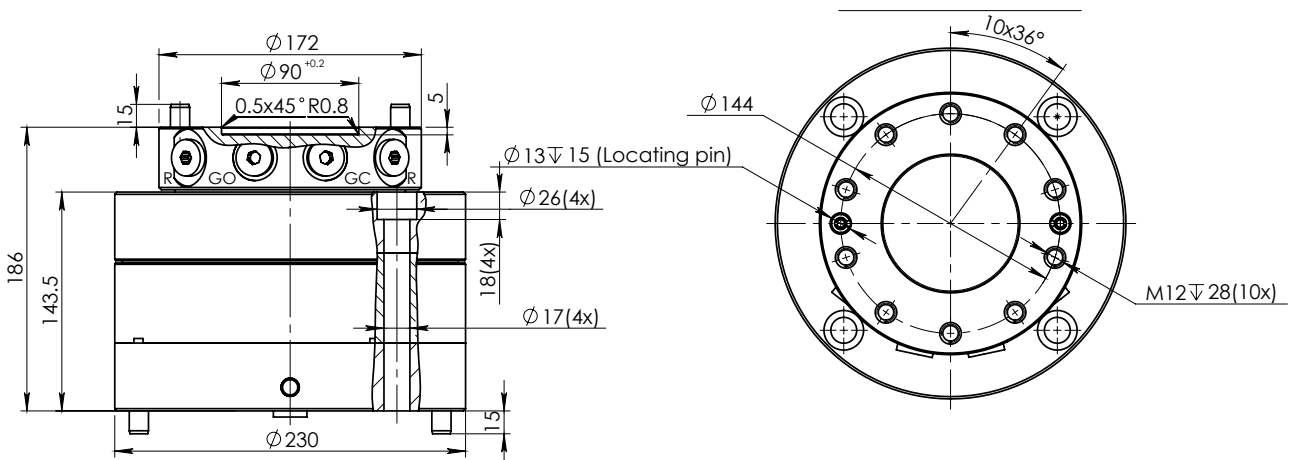
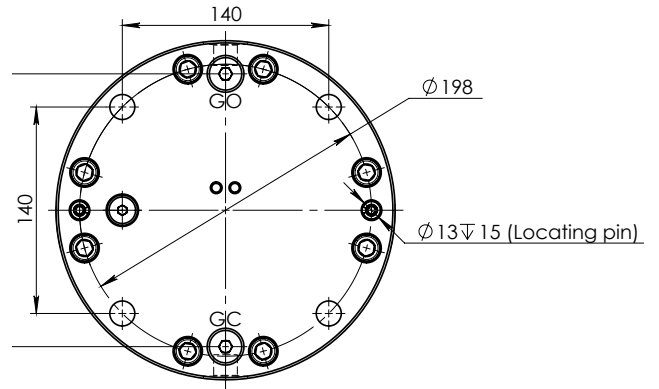


# CPR5-01

## Rotatore industriale

Industrial rotator **EN** | **FR** Rotateur industriel  
 Industrierotatoren **DE** | **ES** Rotadore industriale



Informazioni Tecniche Technical data		Massima pressione di lavoro Max working pressure	Flusso olio Rec oilflow	Connessione Connection	
Rotation	unlimited	Rotator ←R→	Max 25 MPa*	15 l/min	M 18x1.5
Max axial load, KN	± 50	Grapple / Tool Open ←G→	Max 35 MPa		↑M 18x1.5 - ↓G 3/8
Max axial load, KN	36	Grapple / Tool Close →G←	Max 35 MPa		↑M 18x1.5 - ↓G 3/8
Torque at 25Mpa (3625psi), Nm	1350	*Valvole di sicurezza installate • Relief valves fitted			
Rated displacement, cm <sup>3</sup> /rev.	354				
Rotation speed, rpm	max 30				
Oil duct area for grapple, mm <sup>2</sup>	95	<b>Macchina operatrice (es. peso massimo dell'escavatore)</b> <i>Operating machine (e.g. excavator max weight)</i>		montaggio con link connected via link    10 t	
Weight, kg	46			montaggio rigido rigid mounted    6 t	

technical data can be revised without prior notice