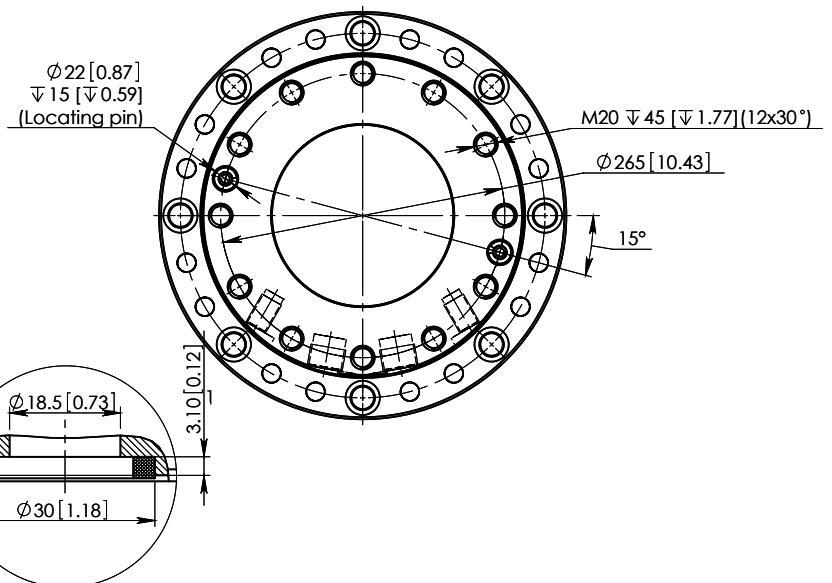
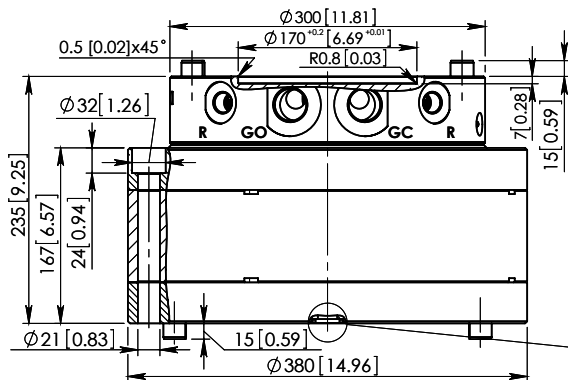
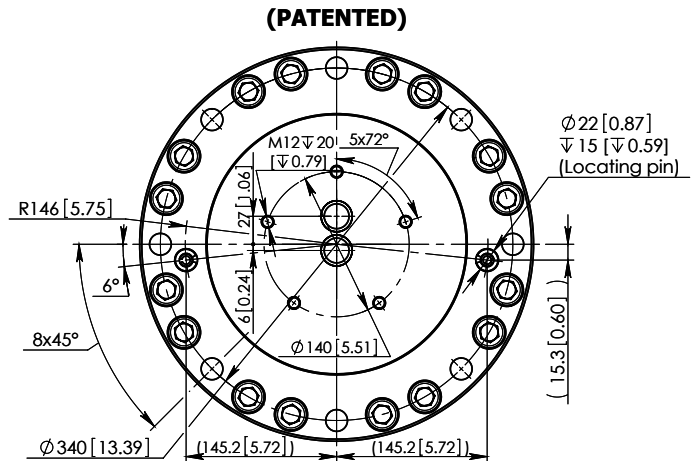


# CPR15

## Rotatore industriale

Industrial rotator **EN** | **FR** Rotateur industriel  
 Industrierotatoren **DE** | **ES** Rotadore industriale



### Informazioni Tecniche Technical data

Rotation	unlimited
Max axial load, KN (lbf)	± 150 (33721)
Max axial load, KN (lbf)	110 (24729)
Moment of deflection, KNm (lb ft)	40 (29502)
Torque at 25Mpa (3625psi), Nm (lb ft)	4500 (3319)
Rated displacement, cm <sup>3</sup> /rev. (in <sup>3</sup> /rev)	1222 (74.6)
Rotation speed, rpm	max 25
Oil duct area for grapple, mm <sup>2</sup> (in <sup>2</sup> )	260 (0.403)
Weight, kg (lb)	167 (367)

### Massima pressione di lavoro Max working pressure

Rotator ←R→	25 MPa [3625 psi]*
Open ←G→	35 MPa [5076 psi]
Close →G←	35 MPa [5076 psi]

\*Valvole di sicurezza installate • Relief valves fitted

### Flusso olio Rec oilflow

35 l/min  
 [9.2 gal(US)  
 /min]

### Connessione Connection

G 1/2  
 G 1  
 G 1



**Macchina operatrice (es. peso massimo dell'escavatore)**  
 Operating machine (e.g. excavator max weight)

montaggio con link  
 connected via link 29 t  
 montaggio rigido  
 rigid mounted 21 t