



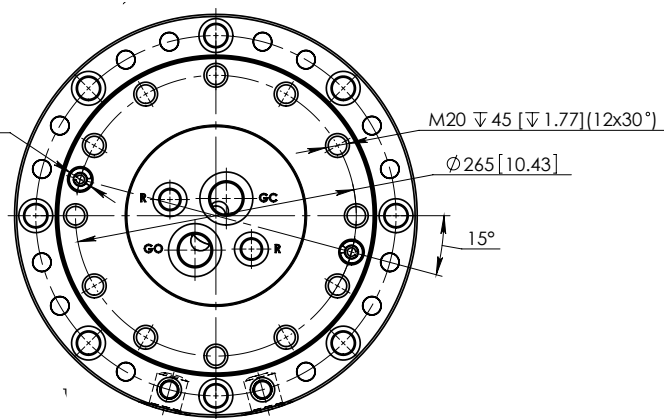
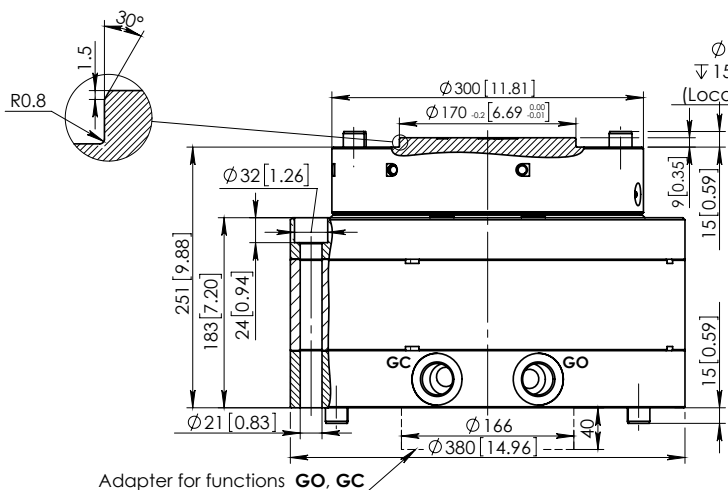
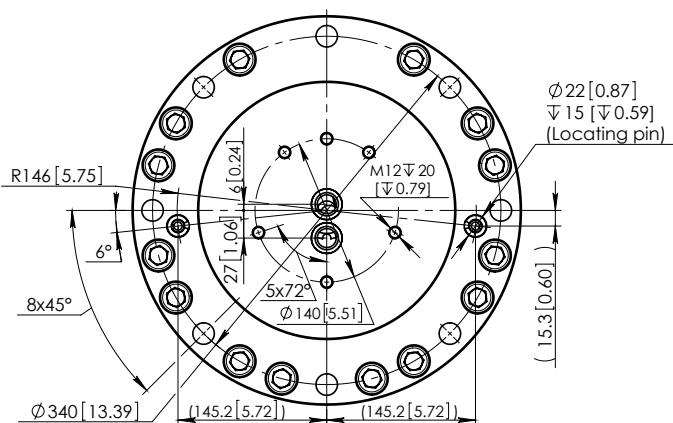
CPR15-03

Rotatore industriale

Industrial rotator **EN** | **FR** Rotateur industriel
 Industrierotatoren **DE** | **ES** Rotadore industrial



(PATENTED)



Adapter for functions **GO, GC**

Informazioni Tecniche Technical data		Massima pressione di lavoro Max working pressure	Flusso olio Rec oilflow	Connessione Connection
Rotation	unlimited	Rotator ←R→ 25 MPa [3625 psi]*	35 l/min [9.2 gal(US) /min]	G 1/2
Max axial load, KN (lbf)	± 150 [33721]	Open ←G→ 35 MPa [5076 psi]		G 1
Max axial load, KN (lbf)	110 [24729]	Close →G← 35 MPa [5076 psi]		G 1
Moment of deflection, KNm (lb ft)	40 [29502]	*Valvole di sicurezza installate • Relief valves fitted		
Torque at 25Mpa (3625psi), Nm (lb ft)	4500 [3319]			
Rated displacement, cm ³ /rev. (in ³ /rev)	1222 [74.6]			
Rotation speed, rpm	max 25	Macchina operatrice (es. peso massimo dell'escavatore) <i>Operating machine (e.g. excavator max weight)</i>		montaggio con link connected via link 29 t
Oil duct area for grapple, mm ² (in ²)	260 [0.403]			montaggio rigido rigid mounted 21 t
Weight, kg (lb)	182 [401]			