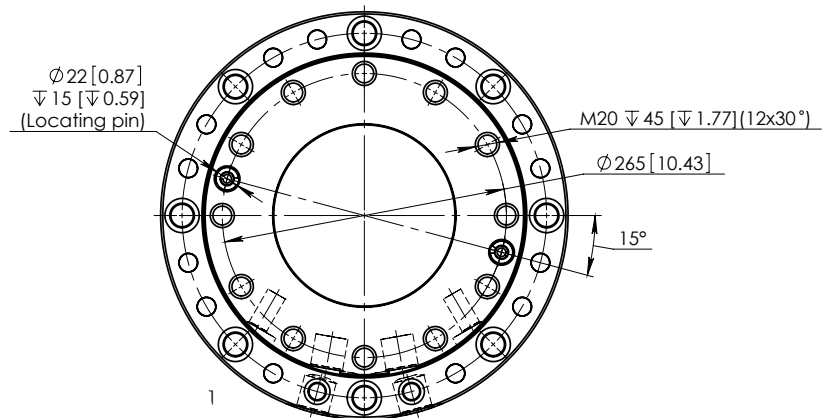
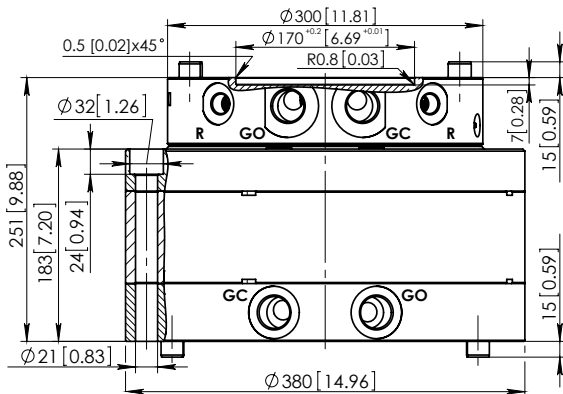
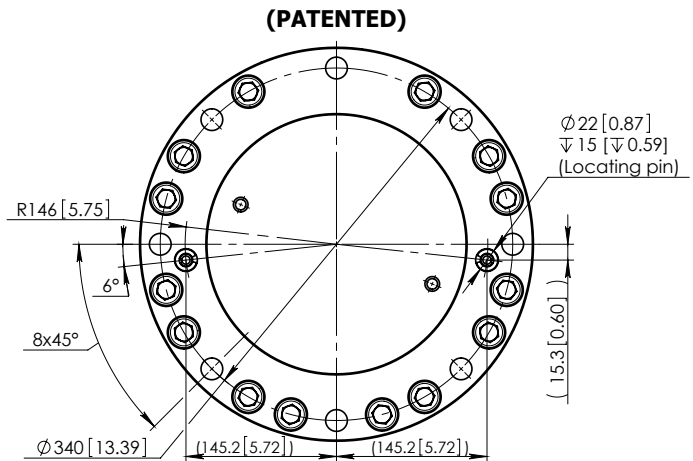


CPR15-01

Rotatore industriale

Industrial rotator **EN** | **FR** Rotateur industriel
 Industrierotatoren **DE** | **ES** Rotadore industriale



Informazioni Tecniche Technical data	
Rotation	unlimited
Max axial load, KN (lbf)	± 150 (33721)
Max axial load, KN (lbf)	110 (24729)
Moment of deflection, KNm (lb ft)	40 (29502)
Torque at 25Mpa (3625psi), Nm (lb ft)	4500 (3319)
Rated displacement, cm ³ /rev. (in ³ /rev)	1222 (74.6)
Rotation speed, rpm	max 25
Oil duct area for grapple, mm ² (in ²)	260 (0.403)
Weight, kg (lb)	179 (395)

Massima pressione di lavoro Max working pressure	Flusso olio Rec oilflow	Connessione Connection
Rotator ←R→ 25 MPa [3625 psi]*	35 l/min [9.2 gal(US) /min]	G 1/2
Open ←G→ 35 MPa [5076 psi]		G 1
Close →G← 35 MPa [5076 psi]		G 1

*Valvole di sicurezza installate • Relief valves fitted



Macchina operatrice (es. peso massimo dell'escavatore) Operating machine (e.g. excavator max weight)	montaggio con link connected via link	29 t
	montaggio rigido rigid mounted	21 t

technical data can be revised without prior notice