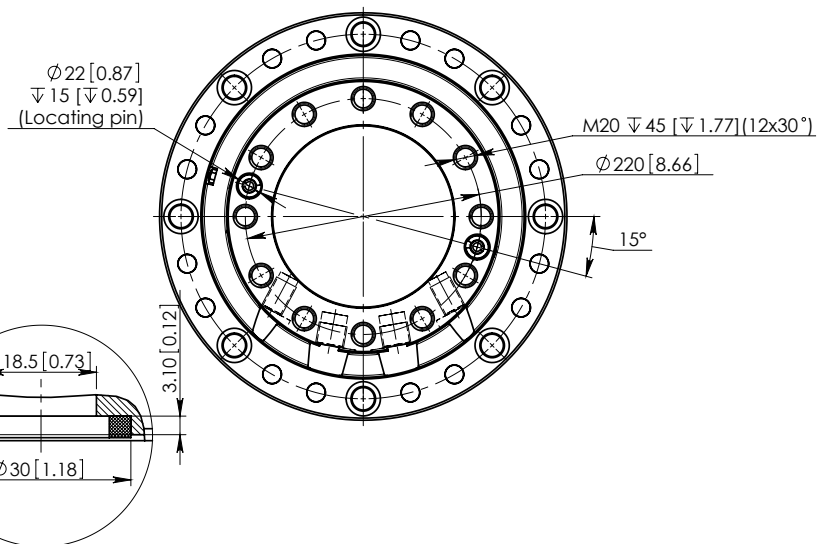
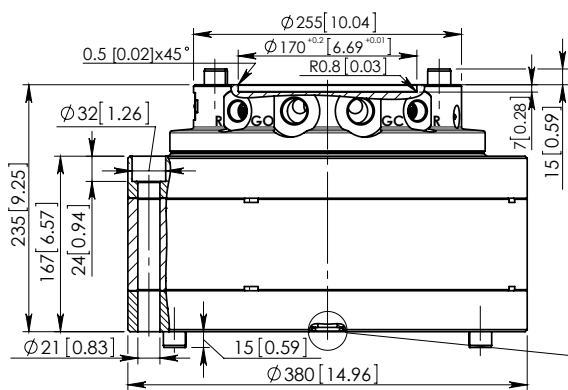
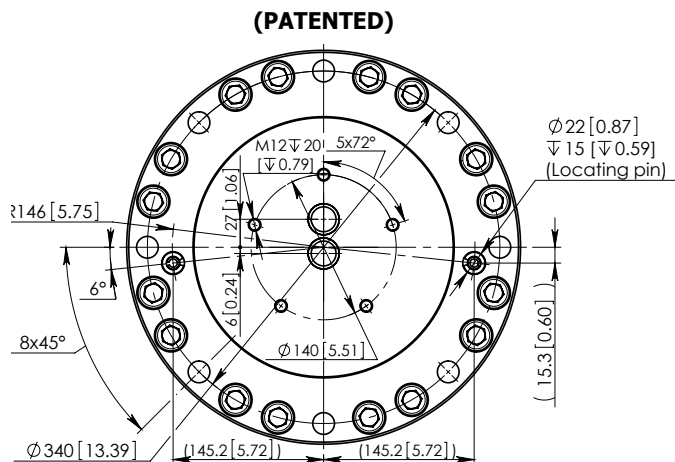


CPR14

Rotatore industriale

Industrial rotator **EN** | **FR** Rotateur industriel
 Industrierotatoren **DE** | **ES** Rotadore industriale



Informazioni Tecniche Technical data

Rotation	unlimited
Max axial load, KN (lbf)	± 140 [31473]
Max axial load, KN (lbf)	100 [22481]
Moment of deflection, KNm (lb ft)	40 [29502]
Torque at 25Mpa (3625psi), Nm (lb ft)	4500 [3319]
Rated displacement, cm ³ /rev. (in ³ /rev)	1222 [74.6]
Rotation speed, rpm	max 25
Oil duct area for grapple, mm ² (in ²)	260 [0.403]
Weight, kg (lb)	160 [354]

Massima pressione di lavoro Max working pressure

Rotator $\leftarrow R \rightarrow$	25 MPa [3625 psi]*
Open $\leftarrow G \rightarrow$	35 MPa [5076 psi]
Close $\rightarrow G \leftarrow$	35 MPa [5076 psi]

*Valvole di sicurezza installate • Relief valves fitted

Flusso olio Rec oilflow

35 l/min
[9.2 gal(US)
/min]

Connessione Connection

G 1/2
G 3/4
G 3/4



Macchina operatrice (es. peso massimo dell'escavatore) Operating machine (e.g. excavator max weight)

montaggio con link
connected via link 29 t
montaggio rigido
rigid mounted 21 t