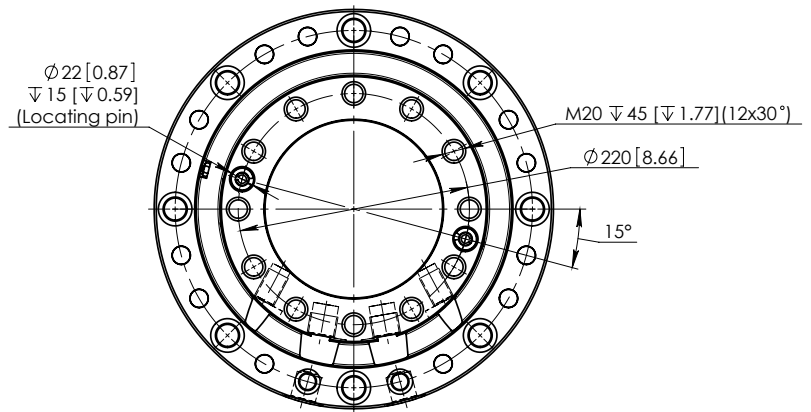
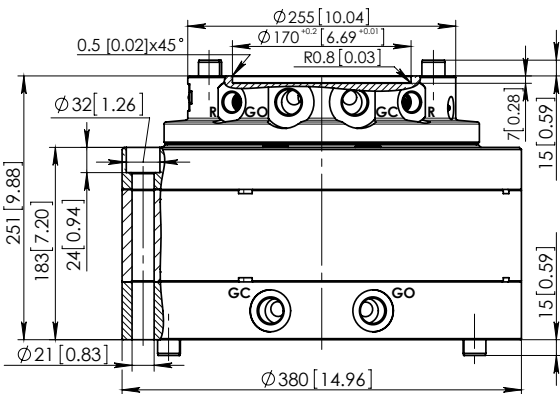
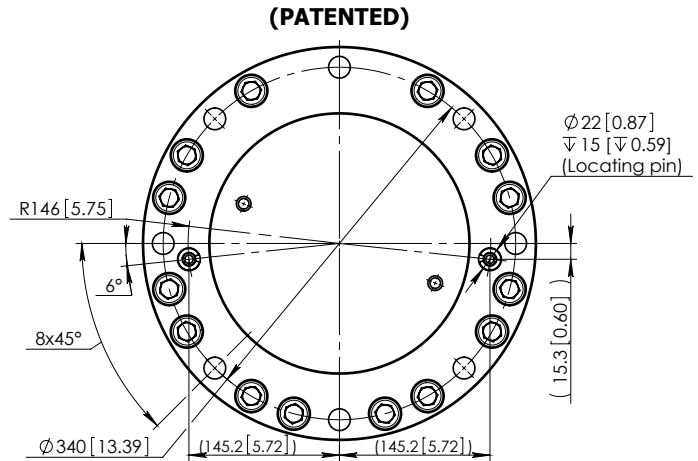


CPR14-01

Rotatore industriale

Industrial rotator **EN** | **FR** Rotateur industriel
 Industrierotatoren **DE** | **ES** Rotadore industriale



Informazioni Tecniche Technical data

Rotation	unlimited	
Max axial load, KN (lbf)	± 140	(31473)
Max axial load, KN (lbf)	100	(22481)
Moment of deflection, KNm (lb ft)	40	(29502)
Torque at 25Mpa (3625psi), Nm (lb ft)	4500	(3319)
Rated displacement, cm ³ /rev. (in ³ /rev)	1222	(74.6)
Rotation speed, rpm	max 25	
Oil duct area for grapple, mm ² (in ²)	260	(0.403)
Weight, kg (lb)	173	(381)

Massima pressione di lavoro Max working pressure

Rotator ←R→	25 MPa [3625 psi]*
Open ←G→	35 MPa [5076 psi]
Close →G←	35 MPa [5076 psi]

Flusso olio Rec oilflow

35 l/min
 [9.2 gal(US)
 /min]

Connessione Connection

G 1/2
 G 3/4
 G 3/4

*Valvole di sicurezza installate • Relief valves fitted



Macchina operatrice (es. peso massimo dell'escavatore) Operating machine (e.g. excavator max weight)

montaggio con link connected via link	29 t
montaggio rigido rigid mounted	21 t

technical data can be
 revised without prior notice