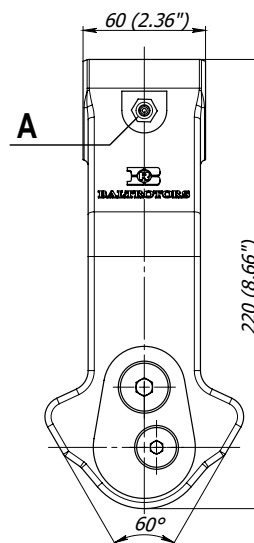
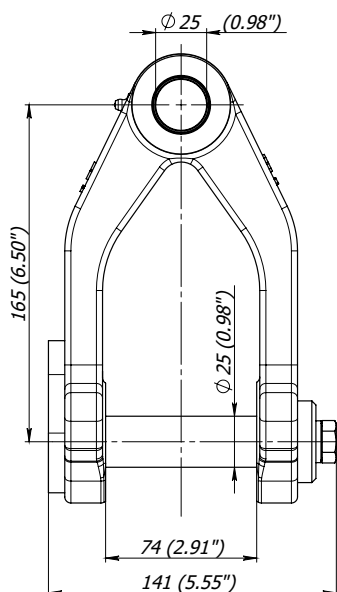
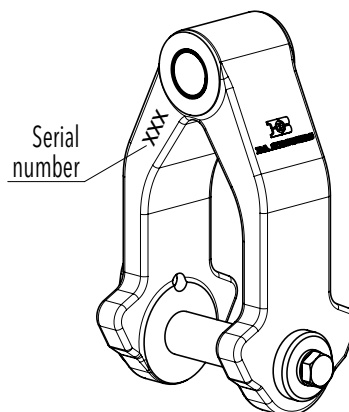




BRM1-73-01

Link senza freno

Link without brake **EN** | **FR** Lien sans frein
Verbindung ohne Bremsen **DE** | **ES** Enlace sin freno



Max. Load - 4.5 ton (45 kN) (10116 lbf)

Weight - 5.1 kg (11.3 lb)

Fill grease Statoil Uniway Li62 (or equivalent) through lubricating nipple (A), until it will appear to the external surfaces.

Greasing must be repeated after every 8 working hours of the link.